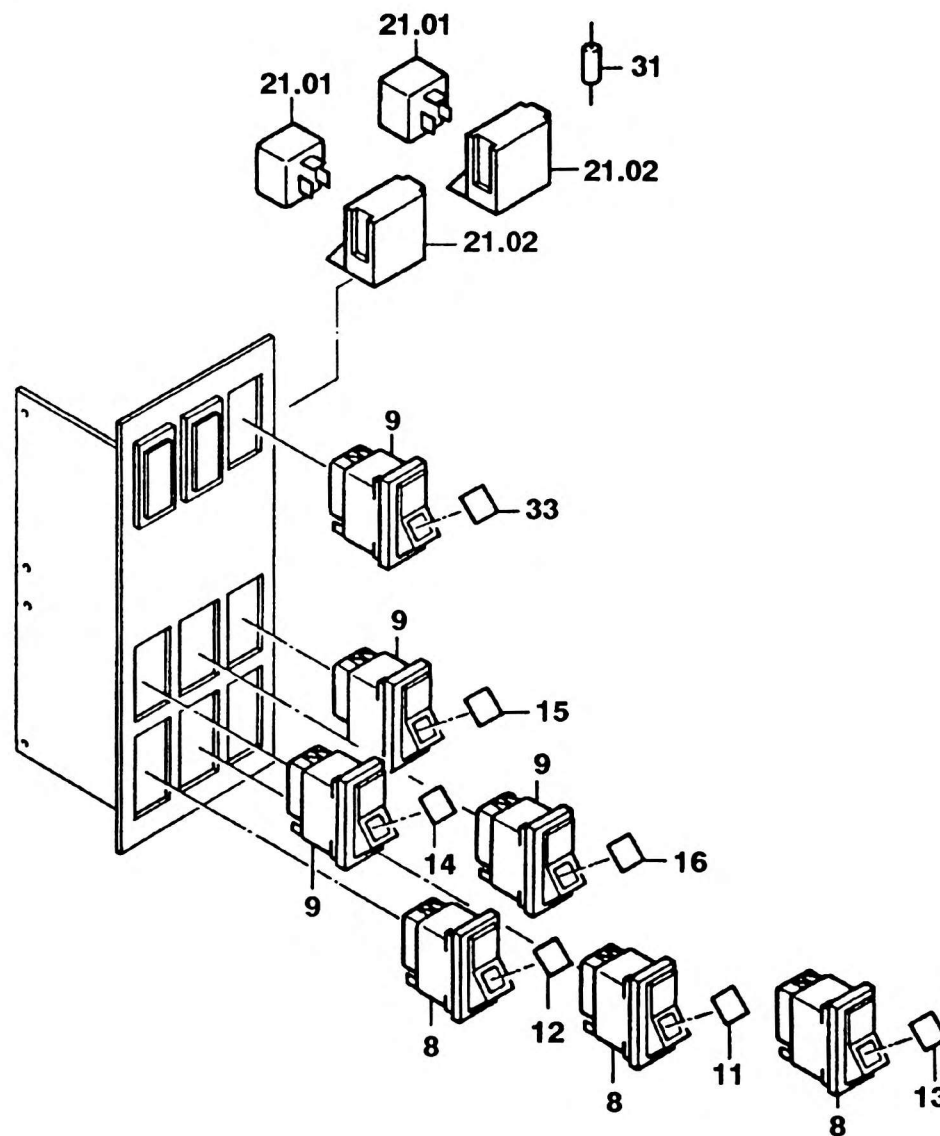
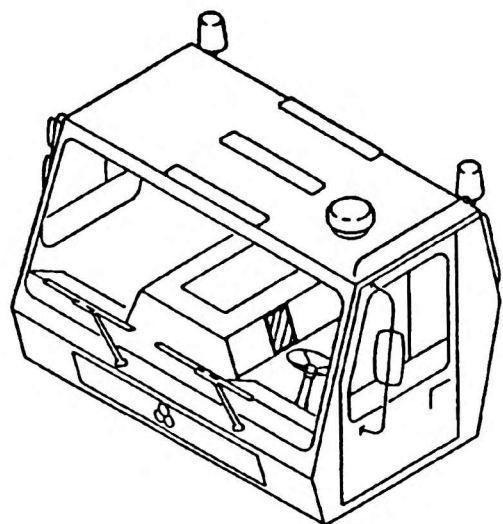




EINSCHUB 5C
SLIDE-IN UNIT 5C

BILDТАFЕL
PICTORIAL DISPLAY
09.91 | 2222956-ETL B | 1/1

KMK 4080
BE 550
G 802



A10_124